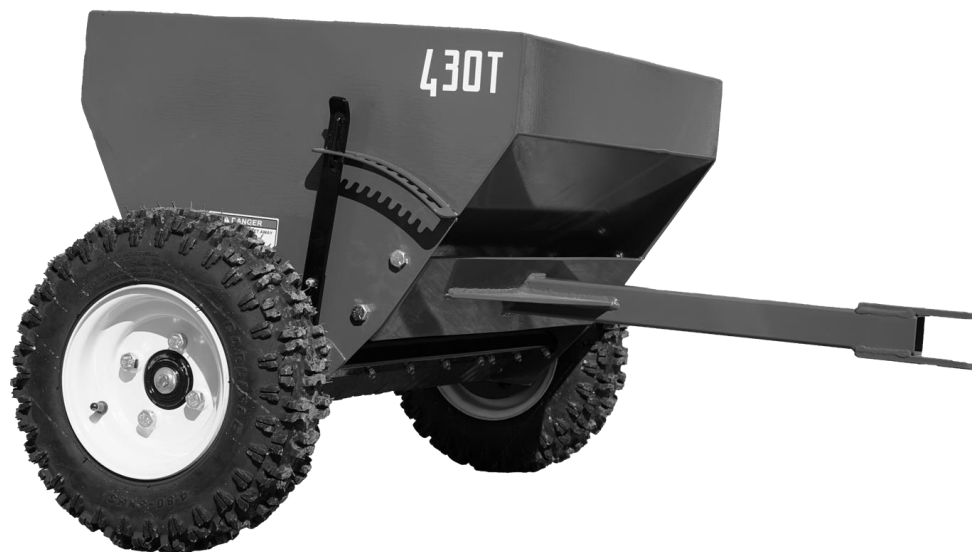


# BAUMAN MANUFACTURING



***430T DROP SPREADER***

## ***OPERATOR'S MANUAL***



**BAUMAN  
MANUFACTURING**  
BACKED BY A TRADITION OF QUALITY

**MODEL:**

---

**SERIAL NUMBER:**

---

**PURCHASE DATE:**

---

**DEALER/WHERE PURCHASED:**

---

DOCUMENT REVISION: AUGUST 2020



**BAUMAN**  
MANUFACTURING

**3 INDUSTRIAL DRIVE  
ELMIRA, ON N3B 2S1  
PHONE: (519)669-4333  
FAX: (519)669-2431  
[WWW.BAUMANMFG.COM](http://WWW.BAUMANMFG.COM)**

---

# Contents

INTRODUCTION ..... 2

GENERAL INFORMATION ..... 3

SAFETY INSTRUCTIONS..... 3

**SAFETY LABELS**..... 4

MAINTENANCE..... 5

ATTACHMENT OF THE MACHINE ..... 5

SPREADING MATERIAL..... 5

PARTS LIST ..... 6

INSTALLATION LOCATIONS ..... 7

OPTIONAL ATTACHMENTS..... 10

WARRANTY INFORMATION..... 11

# INTRODUCTION

Congratulations on your purchase of a Bauman Drop Spreader! This spreader has been designed and manufactured to enable operators to carry out their work safely and efficiently.

The Bauman Drop Spreader is capable of spreading sand, salt, grit, or similar materials and should only be used for this purpose. Correct usage of the machine also includes following the factory's preparation, operation and maintenance instructions.

This manual will help you understand the proper maintenance and operation of the spreader in order to maximize the longevity and effectiveness of the machine. All information, illustrations and technical specifications in this manual are based on the most recent product information available at the time of printing.

Bauman Manufacturing reserves the right to change the design and specifications and/or make additions and improvements to the product without notice.



## GENERAL INFORMATION

***The operator must read and understand the information in this manual to ensure the correct service and operation of the machine and avoid unnecessary risk of accidents and breakdowns.***

### **Please Note:**

Stop the tractor engine before you adjust, lubricate, or repair the machine. Remember to remove the ignition key to make sure no one starts the tractor while you are repairing the machine.

Do not let anyone underneath the machine once it is connected to the tractor.

Do not let anyone get close to or stay close to the machine while it is in operation. Do not squeeze between the machine and the tractor as an unintentional maneuver may result in serious injury.

## SAFETY INSTRUCTIONS

This machine demands skilled operation therefore, **you must read this operator's manual before connecting the machine to the tractor**. Even though you may have owned or operated similar equipment, you should read through the safety and maintenance procedures thoroughly. *This concerns your safety.*

The Bauman Drop Spreader should only be operated by one person. The operator should ensure that no one is close to the area where the machine is in use. Do not let others operate the machine unless you are certain that they have the necessary knowledge to operate the machine safely and correctly.

The following precautions should be read and understood before operation of the machine:

- Activate the tractor's parking brake and stop the tractor's engine before:
  - Lubricating the machine;
  - Cleaning the machine;
  - Disassembling any part of the machine;
  - Adjusting, repairing or maintaining the machine.
- Do not work underneath an elevated unit until it has been secured mechanically or with stop wedges.
- Do not start or operate the tractor until bystanders are clear of the machine.
- Check to make sure that all tools have been removed from the machine before starting the tractor.

- Do not operate the machine while wearing loose garments.
- Use statutory vehicle lights and safety markings when operating the spreader on public roads or when driving in the dark.
- Hearing protection is recommended, especially if the machine is in use over a long period of time.
- The machine has been manufactured strictly for the intended use as a drop spreader. Do not use the machine for any other purpose.
- Be considerate of people, property and animals near the machine. Maintain a distance of at least 10 meters from obstacles while operating from the machine.
- Use only original components or replacement components received from Bauman Manufacturing.
- Sitting, reaching into or climbing on or in the spreader during operation can result in serious injury or death. Do not ride on the spreader while the vehicle is in motion.
- All laws and rules relating to public safety in the country of operation must be obeyed. Follow both the vehicle and spreader manuals to ensure safety and mechanical efficiency.

***It is the operator's responsibility to ensure the safety of themselves and others while operating or maintaining a Bauman Drop Spreader.***

## SAFETY LABELS

The danger labels on Bauman Manufacturing equipment are for the safety of the operator as well as pedestrians and bystanders. Read and obey warning and danger labels. The operator must ensure that before operating the machine, all guards and grills are in place and that they are attached properly. Stay clear of all moving parts and rotating shafts.

***Under no circumstances should anyone reach into the hopper when the spreader is in operation.***



## MAINTENANCE

**Warning:** When repairing, maintaining and cleaning the machine, it is particularly important to be aware of the safety precautions. Park the tractor (if connected) as a precautionary measure and disconnect power when servicing. Do not clean, lubricate or adjust the machine before the tractor engine has been stopped and the parking brake is activated.

**Important:** Screws and bolts on your new machine must be tightened up after the first two hours of operation. All moveable parts must be greased regularly for the best performance. To extend the durability of the machine, frequent and thorough cleaning is recommended. Set spring tension to loosest setting for ease of cleaning the machine and use plenty of water when cleaning to avoid material freezing on the roller or rubber belts.

**Remember:** Do not spray water directly into bearings or bearing housings. If the machine is stored for a lengthy period of time, spray it with acid-free oil before use. Remove all foreign material from the roller. Check and lubricate all bearings regularly.

*It is important to properly maintain and service your spreader. Failure to comply with the manufacturer's suggested servicing procedures may result in premature wear and may hinder the machine's performance.*

## ATTACHMENT OF THE MACHINE

This spreader can be attached to the tractor using various methods. It is the operator's responsibility to make sure that it is connected and fastened properly and safely. Ensure that the spreader sits horizontally when in operation.

## SPREADING MATERIAL

### ADJUSTING SPREAD QUANTITY

The spreading quantity is adjusted with the tension adjustment lever. Correct adjustment is important. If the adjustment is too tight, unnecessary wear of the rubber belts or rotating parts may occur. If the adjustment is too slack, distribution of material will be uneven.

### STARTING TO SPREAD

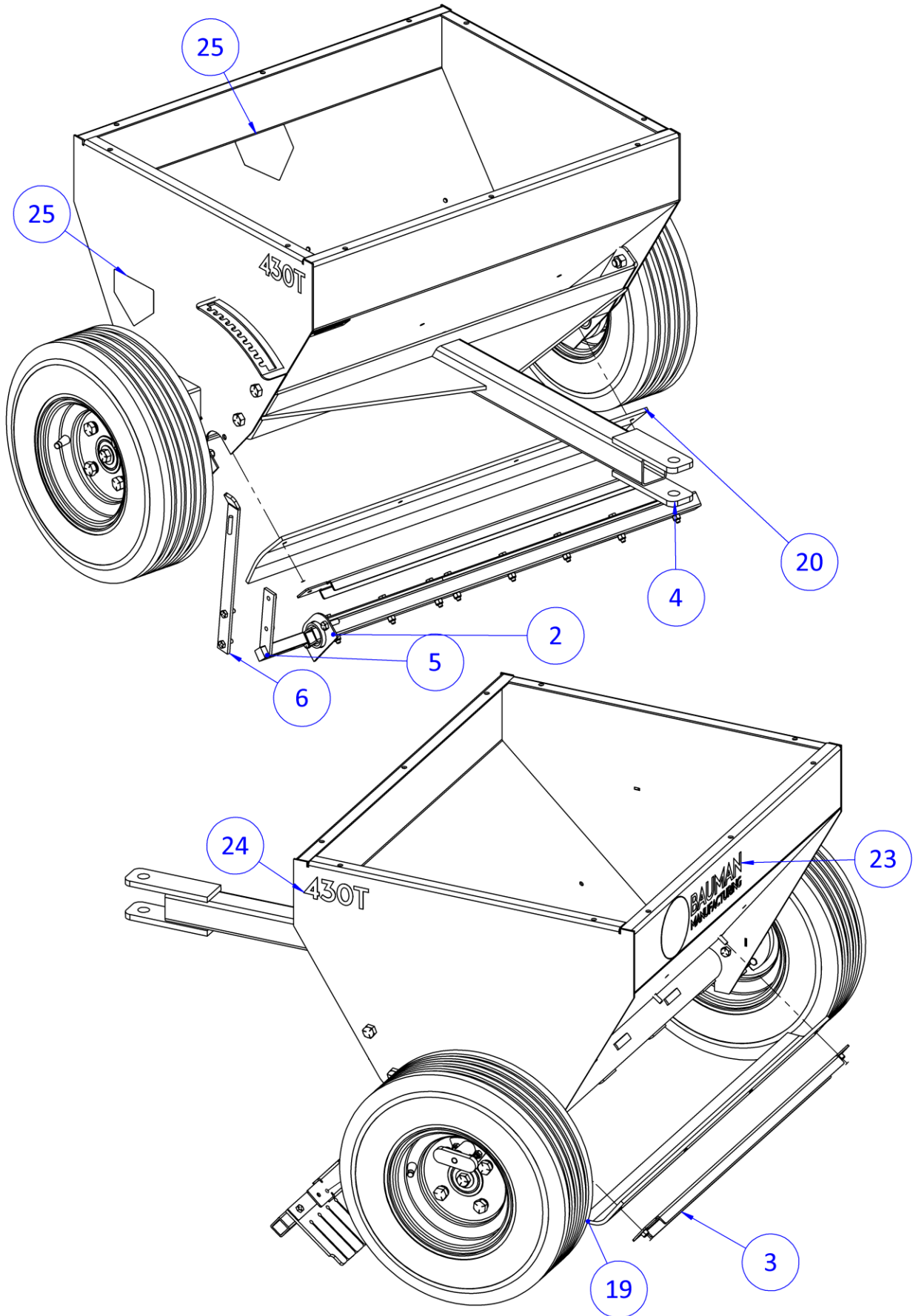
By default, the wheels used on this spreader will rotate freely as the device is towed. To engage the distributor drum and agitator, pull and rotate the spring latch (see Item #16) 90° then release. The latch will then couple with Item #15 and in turn force the agitator/drum to spin only when the spreader is rolled forwards. Once engaged, the pin will automatically (and temporarily) release when reversing the spreader.

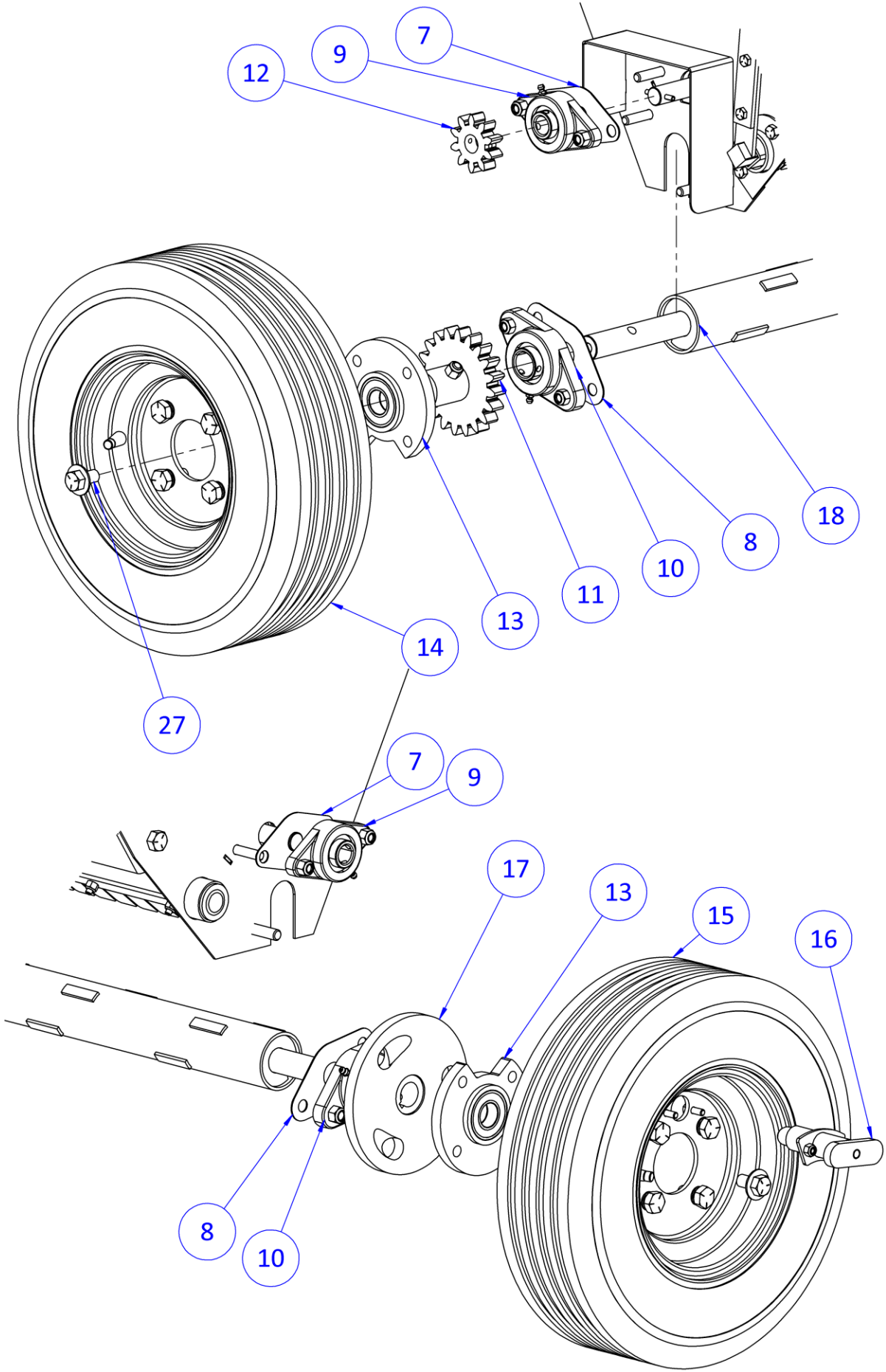
## PARTS LIST

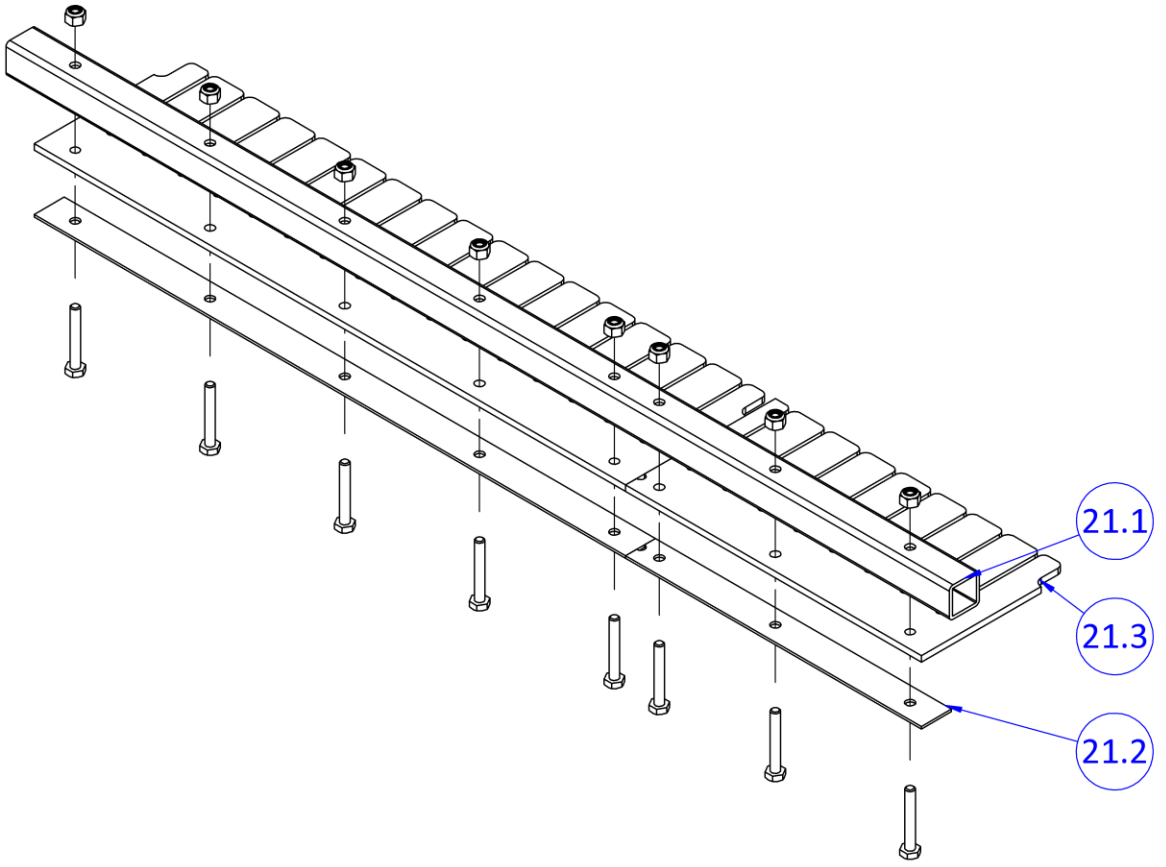
ITEM #	PART NUMBER	DESCRIPTION	QTY.
1	430T 100 BASE	HOPPER WELDMENT	1
2	320T 200	END PLATE - FINGER BAR RETAINER	1
3	430 CHANNEL	RUBBER FLAP CHANNEL	2
4	430T 110	HITCH	1
5	220 401	TENSIONER BASE	1
6	220 402	TENSION LEVER	1
7	BSFL 204-12	BEARING BACK-STOP 3/4" BORE	2
8	BSFL 205-16	BEARING BACK-STOP 1" BORE	2
9	UCFL 204-12	3/4" TWO BOLT FLANGE BEARING	2
10	UCFL 205-16	1" TWO FLANGE BEARING	2
11	320T 501	20-TOOTH GEAR ASSEMBLY	1
12	220 GEAR-10	10-TOOTH GEAR	1
13	320T 610	CLUTCH HUB	2
14	320T 630	WHEEL (CLUTCH)	1
15	320T 650	WHEEL (DRIVE)	1
16	320T 640	LATCH BOLT ASSEMBLY	1
17	320T 620	DRIVE PLATE	1
18	430T 302	DISTRIBUTER DRUM	1
19	430T SB60-3	DRUM FLAP	1
20	430T SB50-3	FINGER BAR FLAP	1
21	430T 301	FINGER BAR ASSEMBLY	1
21.1	430T 301 TUBE	FINGER BAR TUBE	1
21.2	220 301 GALV STRIP	FINGER BAR STRIP	2
21.3	220 R-24527	FINGER BAR "RED"	2
22	430T 303	AGITATOR	1
23	DECAL BAUMAN LOGO 12"	BAUMAN LOGO 12" WITH WHITE LETTERING	1
24	DECAL 430T	430T DECAL	2
25	DECAL SW803	DECAL KEEP HANDS/FEET AWAY	2
26	DECAL SERIAL #	SERIAL # DECAL	1
27	02301 008 100 & 656-B56-1W	½" X 1" UNC BOLT WITH WASHER	2



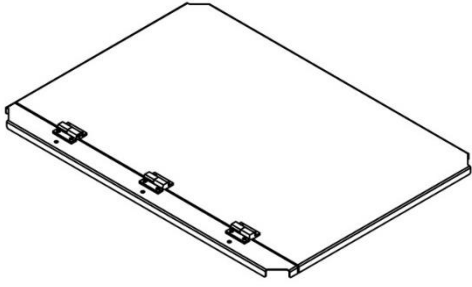
# INSTALLATION LOCATIONS







## OPTIONAL ATTACHMENTS



### **GALVANIZED HINGED LID**

Part Number: 430T LID

## **WARRANTY INFORMATION**

### **One Year Limited Warranty**

If the unit fails to operate within one year from date of purchase because of defects in materials or workmanship, Bauman Manufacturing will, at its option, either replace or repair such components for the original purchaser. This warranty does not cover damage resulting from accident, misuse or abuse, water, tampering, servicing performed or attempted by unauthorized agencies, or units that have been modified in any fashion. If the components do not perform as warranted herein, the original purchaser's sole remedy will be the repair or replacement of the components as provided above. Bauman Manufacturing products are not intended for applications where a failure could result in a costly, dangerous or life-threatening situation. Bauman Manufacturing will not be held responsible for damages or losses greater than the cost of the Bauman Manufacturing replacement parts. In no event will Bauman Manufacturing be liable for damages, lost revenue, lost wages, lost savings or any other incidental or consequential damages, domestic or international, rising from the purchase and use or inability to use the components, even if Bauman Manufacturing has been advised of the possibility of such damages. Except as provided herein, Bauman Manufacturing makes no warranties, express or implied, including without limitation, the implied warranties of merchantability and fitness for a particular purpose, with respect to the components. All warranties for the components express or implied, are limited to the warranty period set forth above.

### **WARRANTY SERVICE**

In order to obtain the remedy of repair or replacement parts, contact Bauman Manufacturing.



**3 INDUSTRIAL DRIVE  
ELMIRA, ON N3B 2S1  
PHONE: (519)669-4333  
FAX: (519)669-2431  
[WWW.BAUMANMFG.COM](http://WWW.BAUMANMFG.COM)**

