

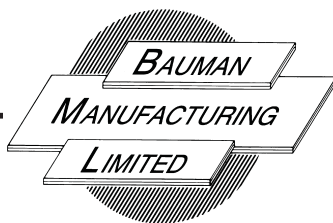
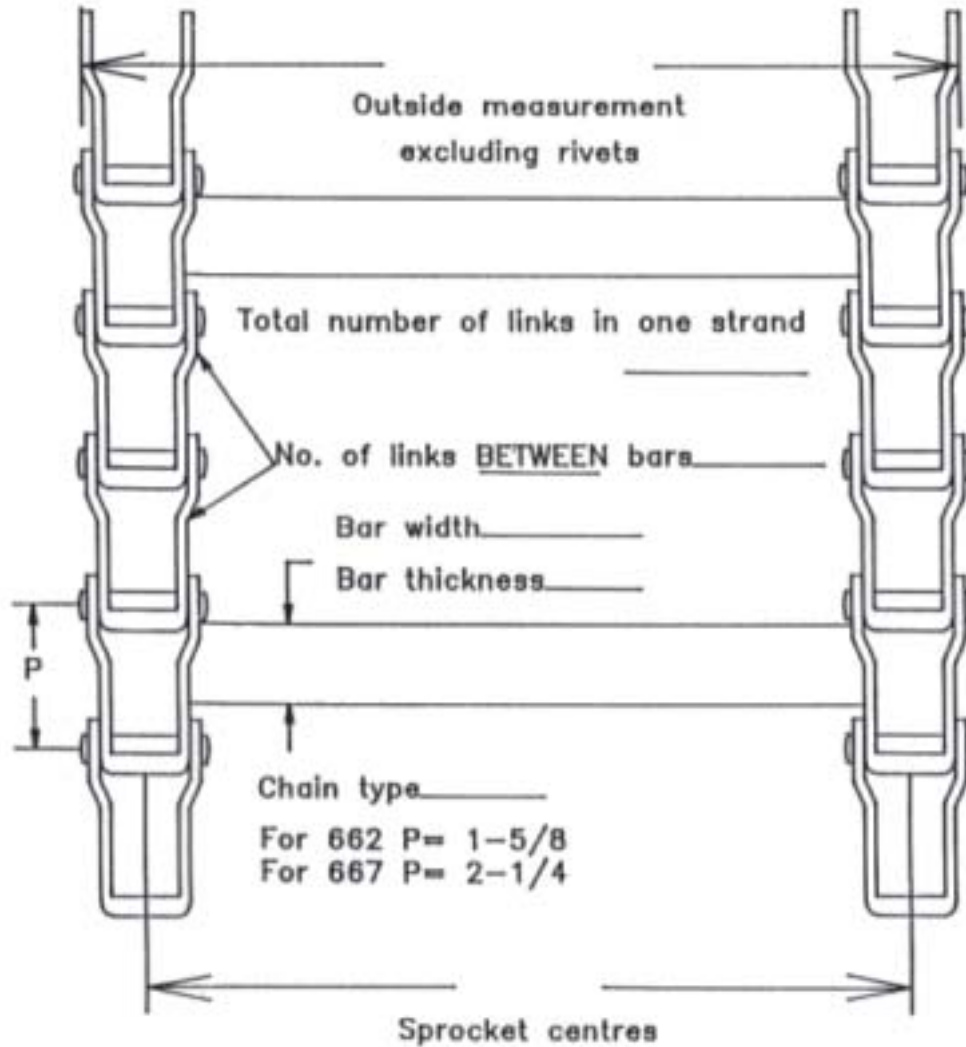
SALT SPREADER APRON WORKSHEET

Print off this handy diagram and use to measure your apron.

Fax us the details for price and delivery!

Fax Toll-Free: 1-800-572-6796

Fax: 1-519-669-2431



Manufactured By:

Bauman Manufacturing Ltd.

Original Equipment Manufacturer

Tel.(519)669-4333 Fax (519)669-2431

www.baumanmfg.com

Distributed By: